

KFE ball valve for use in heating systems, with red lever handle, self-sealing with special thread seal.

Advantages

- Safe installation thanks to self-sealing thread
- Exact axial positioning using lock nut
- Exact guidance of blanking cap by stainless steel swivel bracket – no chain or loop to tear off
- Hidden operating element by blanking cap, which serves as a manual wheel

Technical Specifications

- Max. operating temperature: 110 °C permanent temperature, 130 °C short-term
- Max. operating pressure: 10 bar
- Nominal pressure range: PN 16
- Operating medium:
Heating water in accordance with VDI 2035
Water-glycol mixes up to 50%

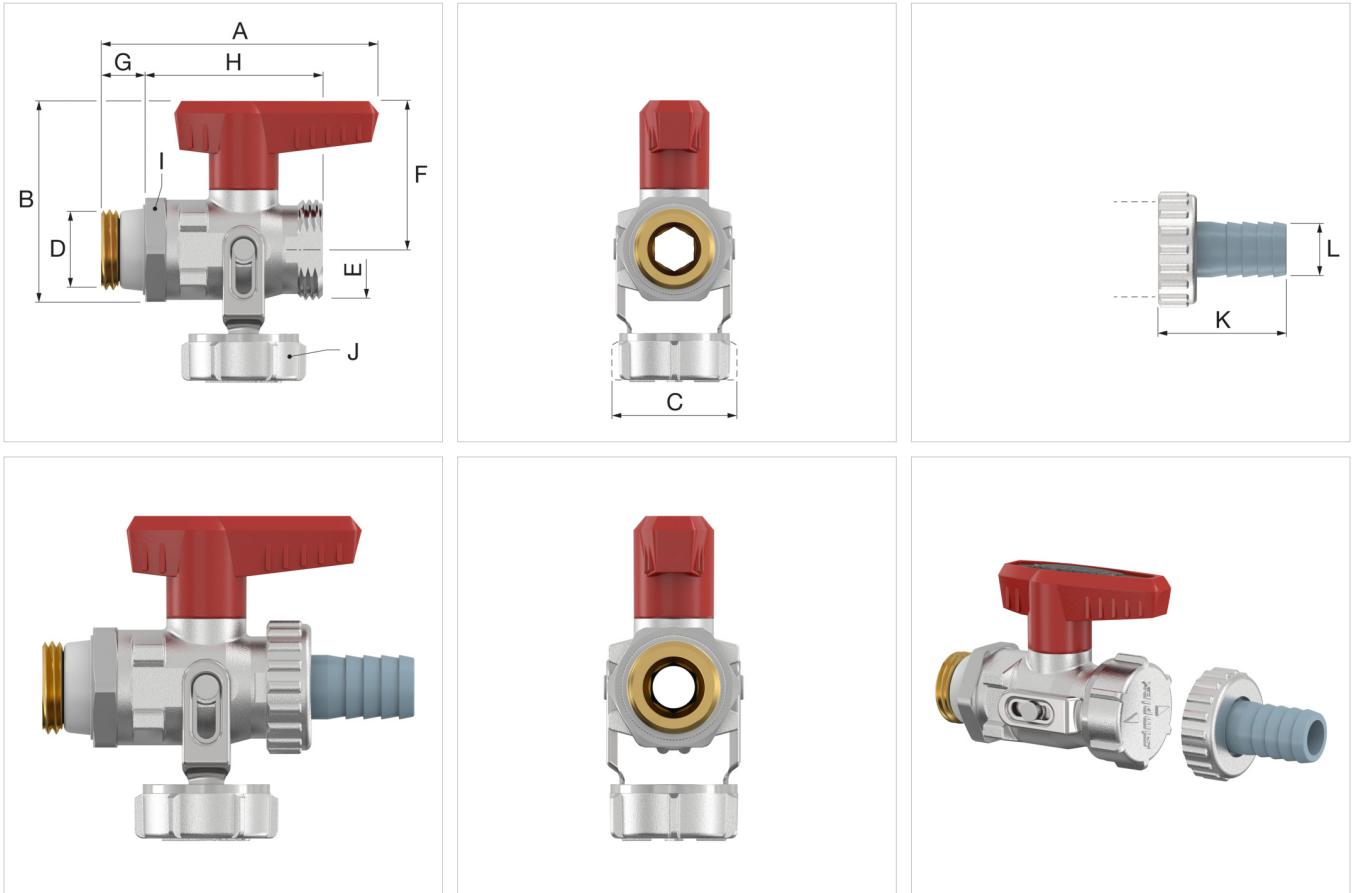
Materials

- Housing: Nickel-plated brass
- Bracket: Stainless steel
- Nipple, spindle, lock nut: Brass
- Ball: Chromium-plated brass
- Hose connection: Reinforced plastic
- O-rings, self-sealing thread seal: EPDM
- Ball seal: PTFE

Massive design, lever handle exchangeable depending on application, hard chrome-plated ball with full bore in a Teflon seat, operating spindle with double O-ring seal.

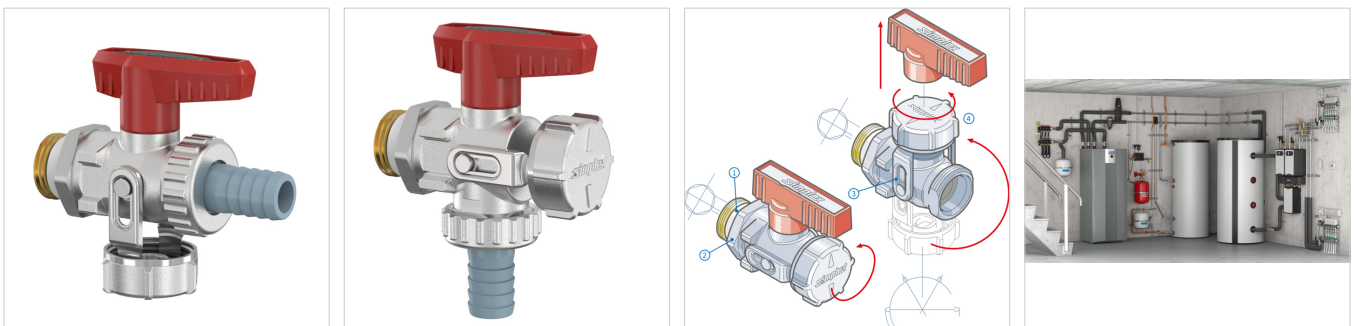
Description	KFE-KH - D SV	
Order Code	F10638	
GTIN	04013852205482	
Model	<u>KFE Ball Valve with Male Thread</u>	
With hose connection	✓	
Version	straight	
Connection	D	G $\frac{1}{2}$ " M
	E	G $\frac{3}{4}$ " M

* Free of lubricants and assembly aids that interfere with painting of completed installations.



Dimensions

Type	Dimensions [mm]									
	A	B	C	F	G	H	I (WS)	J (WS)	K	L (Ø)
KFE-KH - D	72	52.5	32.5	40	11	46.5	27	30	-	-
KFE-KH - E	72	62.0	31.0	40	11	26.0	27	30	-	-
KFE-KH - D SV	72	52.5	32.5	40	11	46.5	27	30	33	14.5
KFE-KH - E SV	72	62.0	31.0	40	11	26.0	27	30	33	14.5
KFE-KH without handle - D	57.5	37.5	32.5	24	11	46.5	27	30	-	-
KFE-KH without handle - E	71.3	49.5	31.0	24	11	26.0	27	30	-	-





Classification General Data

Etim Group	Valves/taps/controls
Etim Class	Fill and drain valve
Product Name	
Brand	FLAMCO
Product Type	KFE Ball Valves
Order Code	F10638
GTIN	04013852205482

Attributes

Housing material	Brass
Surface protection	Nickel-plated
Degree of gloss	Matt
Nominal diameter connection 1	1/2 inch (15)
Connection 1	External thread cylindrical BSPP-G (ISO 228-1)
Nominal diameter connection 2	3/4 inch (20)
Connection 2	Removable hose spigot
Max. operating pressure at 20 °C	10 Bar
Max. medium temperature (continuous)	110 Degrees celsius
Operation	Lever handle
Sealing element	Ball
With operating key	Yes
With pressure gauge	No
With safety overflow valve	No
Length	72 Millimetre
Working length	46.5 Millimetre
Suitable for heating	Yes
Suitable for potable water	No
Suitable for solar heating	No

Find more information online:

[Installation Instructions](#)

[DWG](#)

[RFA](#)

[STEP](#)

[Brochure](#)

[Packaging data](#)

Fort Blauwkapel 1
1358 DB, Almere - nl

T +31 (0)36 52 62 300
E info@aalberts-hfc.com
I flamcogroup.com